

24 Port Ethernet/Fiber Hybrid Full Gigabit Managed Switch

6KV Surge Immunity | Full Gigabit | Redundant Power Supply

UTP7524GE-16GF8GT



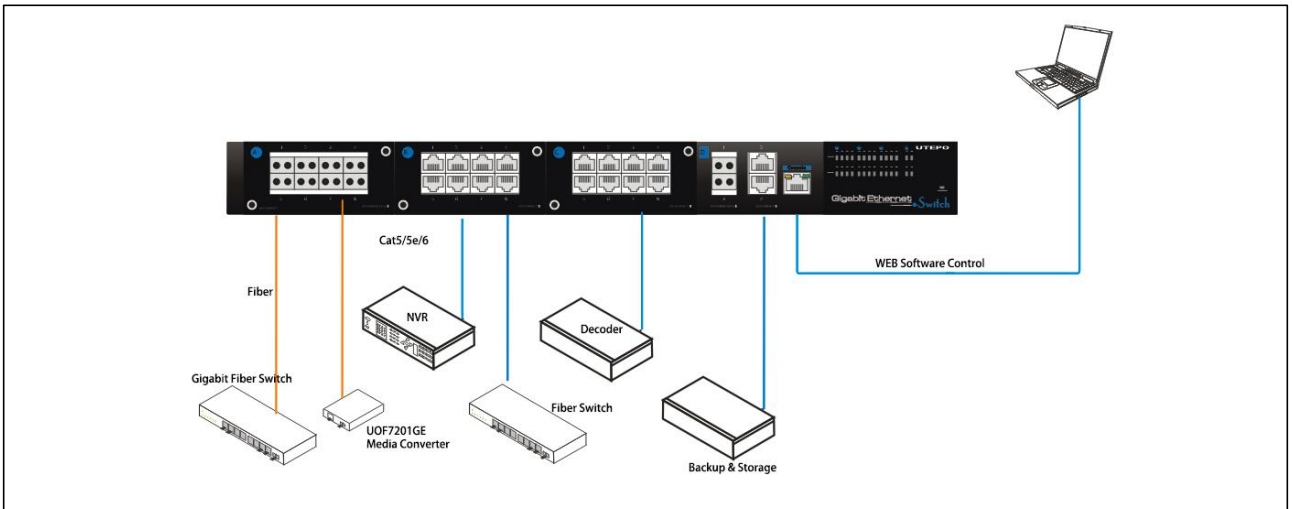
- 16*1000Base-X SFP ports + 8*10/100/1000Base-T RJ45 ports
- 2*10/100/1000Base-T Uplink RJ45 ports + 2*1000Base-X Uplink SFP ports
- Support Web-based network management, support VLAN, QoS, RSTP, SNMP etc. network function
- High speed data forwarding, ideal solution for security monitoring which is requesting the forwarding of large flow video data
- Support one-key recovery IP address and user password
- Provide dual power supply redundancy backup to improve system reliability
- Easy to install & operate, support installation of desktop and 19 inch standard rack



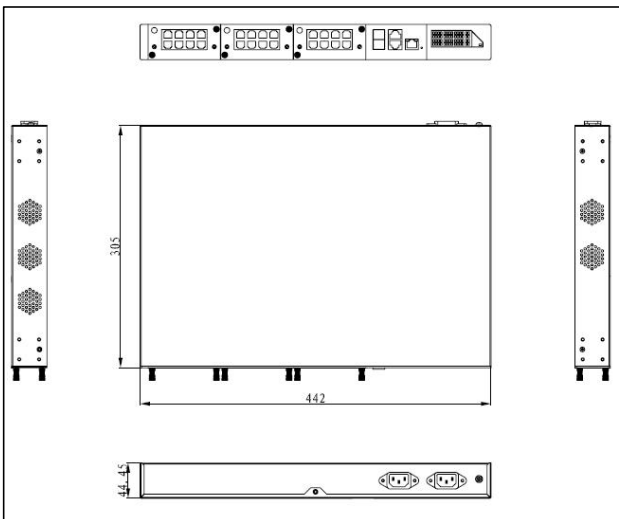
Overview

Providing 16*1000Base-X SFP ports + 8*10/100/1000Base-T RJ45 ports + 2*10/100/1000Base-T Uplink RJ45 ports + 2*1000Base-X Uplink SFP ports, UTP7524GE-16GF8GT is an Ethernet/ Fiber hybrid full gigabit managed switch, which is used in the aggregation layer in security surveillance system or engineering network system.

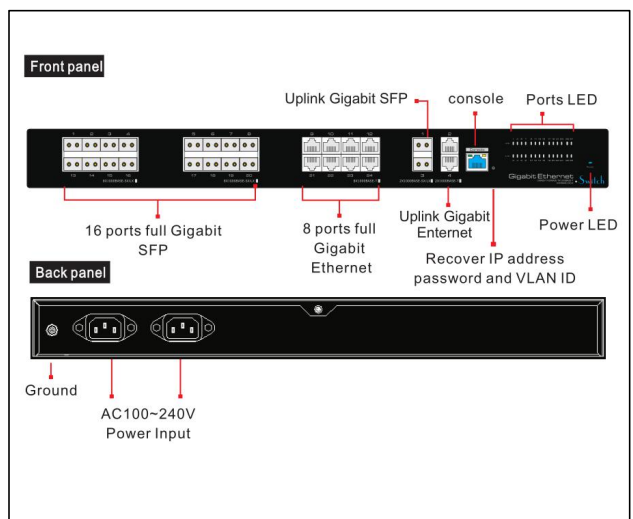
Application



Physical Features



Interface drawing



Parameter

Hardware Parameter

| Model | UTP7524GE-16GF8GT |
|------------------------|--|
| Downlink Ports | 16*1000Base-X SFP ports + 8*10/100/1000Base-T RJ45 ports |
| Uplink Ports | 2*10/100/1000Base-T Uplink RJ45 ports + 2*1000Base-X Uplink SFP ports |
| Standard | IEEE802.3 , IEEE802.3u, IEEE802.3ab, IEEE802.3z, IEEE802.3x, IEEE 802.1Q IEEE 802.1p IEEE 802.3ad , IEEE 802.1D, IEEE 802.1X |
| Switching Capacity | 56Gbps |
| Packet Forwarding Rate | 42Mpps |
| Forwarding Modes | Store and Forward |
| Packet Buffer | 12M |
| MAC Address Table | 16K |
| Surge Immunity | 6KV Per: IEC61000-4-5 |
| ESD Immunity | 6KV Contact discharge 8KV Air discharge Per: IEC61000-4-2 |
| Input Voltage | 100~240V AC, 50/60Hz |
| Power Consumption | <60W |
| Operating Temperature | -10°C~50°C |
| Storage Temperature | -40°C~85°C |
| Operation Humidity | 5%-95% (No- condensation) |
| Dimension(LxWxH) | 442mm×305mm×44.5mm |
| Weight | 4.35kg |
| Certification | CE, FCC, ROHS |

Software Parameter

| | |
|-----------------|---|
| Port Management | Support Port Enable/Disable |
| | Support Port Rate Settings |
| | Support Port Full-duplex Mode |
| | Support IEEE802.3x Flow Control |
| | Support Port Name Change |
| VLAN | Support 4K VLAN |
| | Support 802.1Q Protocol-Based VLAN |
| | Support Port-Based VLAN |
| QoS | Support QoS |
| | Support 8-Level Priority management for switching |
| | Support WRR |
| | Support 802.1P and DSCP Priority |

| | |
|--------------------------------|--|
| Multicast Management | Support SNMP V1/V2/V3 Protocol |
| | Support IGMP Snooping |
| Safety Character | Support IP, MAC, Port, VLAN Combination and Binding |
| | Support MAC address auto-learning, aging& filter |
| | Support Port Isolation, Port Speed-Limited |
| | Support RSTP |
| | Support Fast-Ring |
| | Support 5 groups of 8-Port trunk |
| | Support RADIUS Authentication& 802.1X Authentication |
| System Management& Maintenance | Support WEB Management, CLR Settings and telnet Settings |
| | Support CLR Settings |
| | Support FTP/TFTP/HTTP Web Upgrading |
| | Support Flow Calculate |
| | Support MAC address Form Search |
| | Support IP Address, DNS Server Change |
| | Support Username& Password Change |
| | Support History Record, Journal management |
| | Support System settings Backup |

Package List

| Item | Quantity |
|----------------|----------|
| Managed Switch | 1 |
| AC Power Cable | 1 |
| Accessory | 1 |
| User Manual | 1 |

Related Products

| Item | Model Number |
|----------------------------|----------------|
| 24 Port Managed PoE Switch | N7524GE-PoE-A1 |